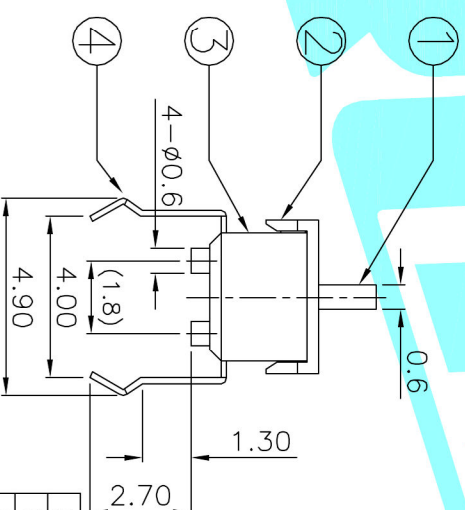
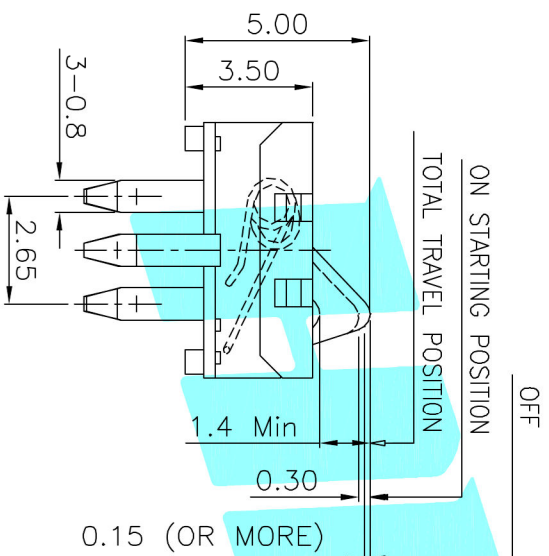


PCB Layout(Pattern side)

Circuit Diagram



NOTE:
 Rating: DC 5V 1mA
 Operating Force: 30±10gf
 Lifetime: 100,000 Cycles

ITEM	PART NAME	TER'NO.	QTY.	MATERIAL	FINISHING	REMARK
⑤	Contact Spring	—	1	Phosphor Bronze	Ag Plated	—
④	Terminal	—	4	Phosphor Bronze	Ag Plated	—
③	Base	—	1	NYLON	Black	—
②	Cover	—	1	NYLON	Black	—
①	Slider	—	1	NYLON	White	—

APPROVALS		DATE	TITLE:	
DRAWN	J.X.Zhang	2013/9/12	DETECTOR SWITCHS	
CHECKED			ELECTRONICS CO.,LTD	
APPROVALS			K5-1664DA-01	

ECN NO.	REV.	DATE.	DESCRIPTION.	CHANGE.	CHECK.	APPRO.	TOLERANCES ARE	ANGLE	UNIT:	SCALE:	PROJ.	SHEET
	A		NEW				30±0.15	±2°	mm	1:1	PROJ.	1 OF 1
							10±0.30					
							5~10					
							~ 5					