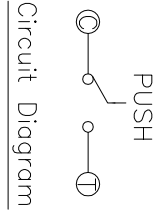
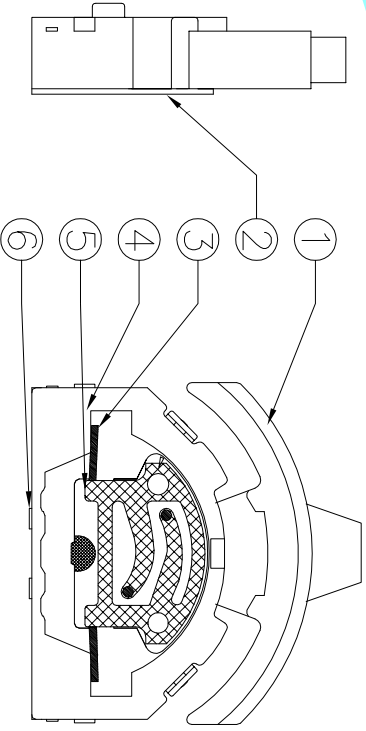
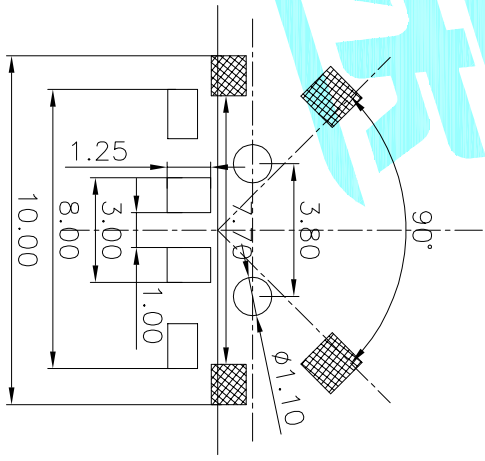
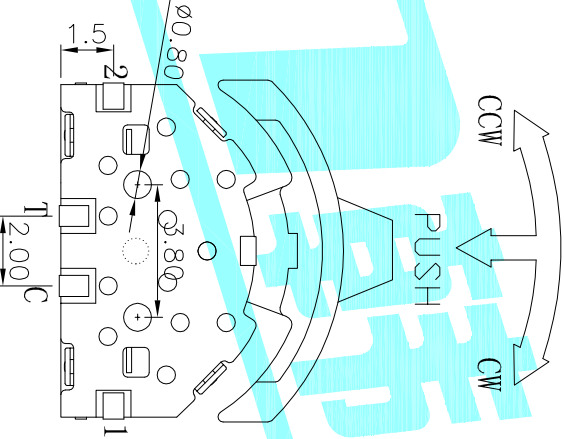
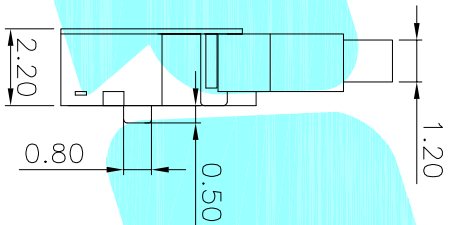
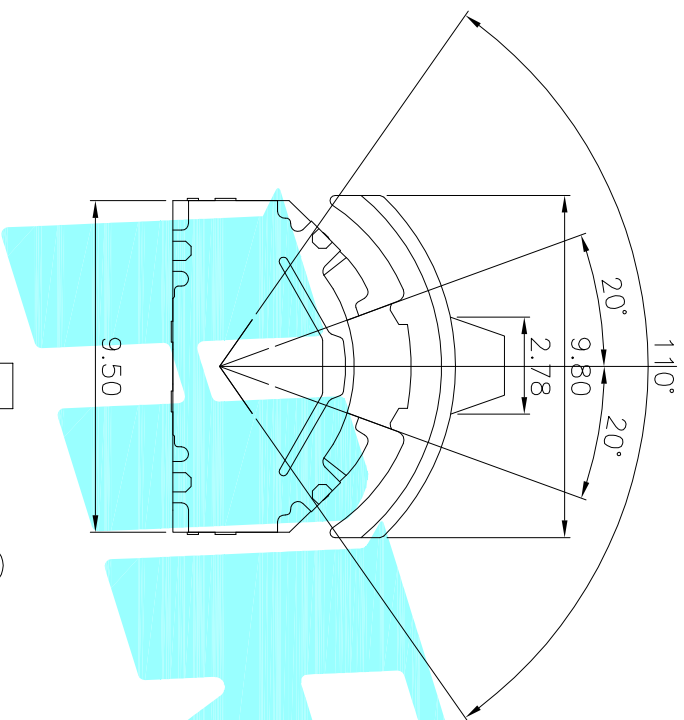


TER	ANG.	(20°)	(15°)	(15°)	(20°)
①					
②					
③					

0° (ZZZZ=NO)
 CCW ← → CW
 CODE TABLE



- Typical Specifications
1. Rating : DC 0.1A 12V
 2. Operating Force:
lever portion 2-80±50gf
Push portion 250±50gf
 3. Mechanical life: 1,000 cycles
 4. Operation Stroke: 0.8±0.2mm



ITEM	PART NAME	TER'NO.	QTY.	MATERIAL	FINISHING	REMARK
⑥	Contact	---	1	F.Ag/Brass	---	---
⑤	Terminal	---	4	Brass(O.15t)	Plating silver	---
④	Base	---	1	Nylon	Black	---
③	Spring	---	1	SUS	---	---
②	Cover	---	1	SUS	White	---
①	Keystroke	---	1	Nylon	Black	---

DRAWN		J.X.Zhang	DATE		2018/8/1	
CHECKED			TITLE:		MULTIFUNCTIONAL SWITCHS	
APPROVALS			PART NO.		K1-1519SA-03	
TOLERANCES ARE		30~以上 ±0.30 10~30 ±0.20 5~10 ±0.15 ~5 ±0.10	ANGLE		±2°	
ECN NO.	REV.	DATE.	DESCRIPTION.	CHANGE.	CHECK.	APPRO.
	A		NEW			

Hirose
 ELECTRONICS CO.,LTD