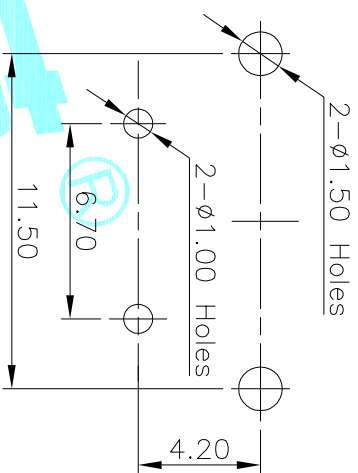
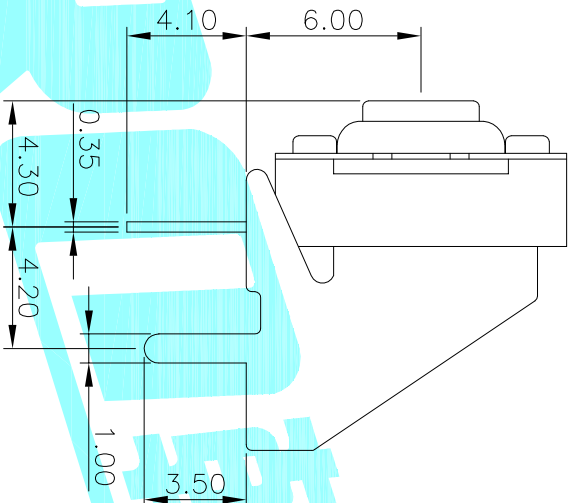
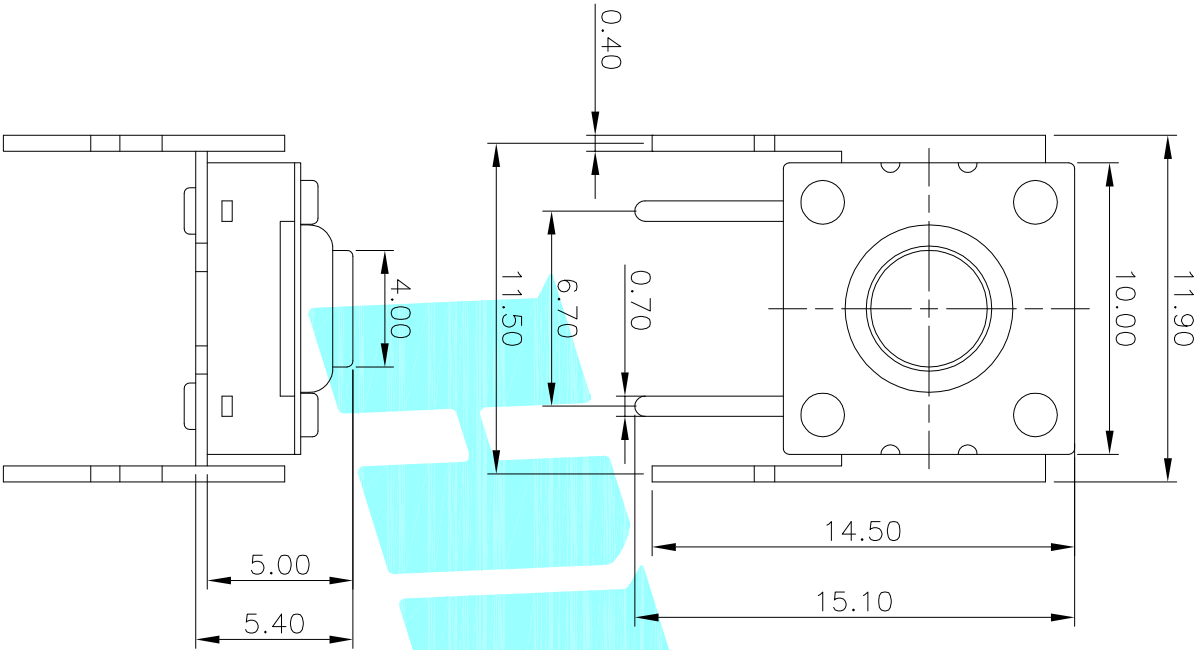


Typical Specifications :
 1. Rating : DC 12V 50mA
 2. Life:100,000 Cycles Min.



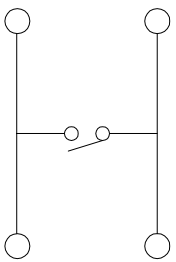
PCB Layout(Pattern side)

NO.2	
PART NO	vigor
4	250±30

NO.3	
PART NO	MATERIAL/QTY
S	SUS/1PC

NO.4-NO.5	
PART NO	NOTE
01~99	SERIAL NUMBER

Circuit Diagram



ITEM	PART NAME	TER'NO.	QTY.	MATERIAL	FINISHING	REMARK
⑦	Gasket	---	1	Nylon	---	---
⑥	Waterproof Silicone	---	1	Silica gel	---	---
⑤	Terminal	---	4	Brass(0.3t)	Plating silver	---
④	Contact	---	1	F.Ag/SUS	---	---
③	Base	---	1	Nylon	Black	---
②	Cover	---	1	SUS	---	---
①	Keystroke	---	1	Nylon	Red	---

APPROVALS		DATE	
DRAWN	J.X.Zhong	2018/8/1	

CHECKED		TITLE:	
APPROVALS		TACT SWITCHS	
TOLERANCES ARE		PART NO.	
30~Ø以上	±0.30	K2-1842AP-C4SW-□□	
10~30	±0.20	SCALE: 1:1	
5~10	±0.15	PROJ:	
~5	±0.10	SHEET 1 OF 1	

ECN NO.	REV.	DATE.	DESCRIPTION.	CHANGE.	CHECK.	APPRO.
	A		NEW			

HRON
 ELECTRONICS CO.,LTD