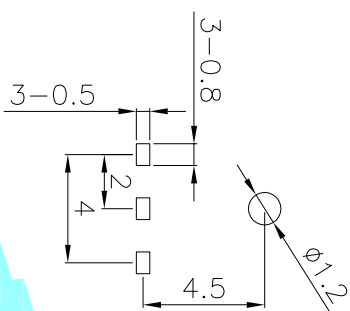
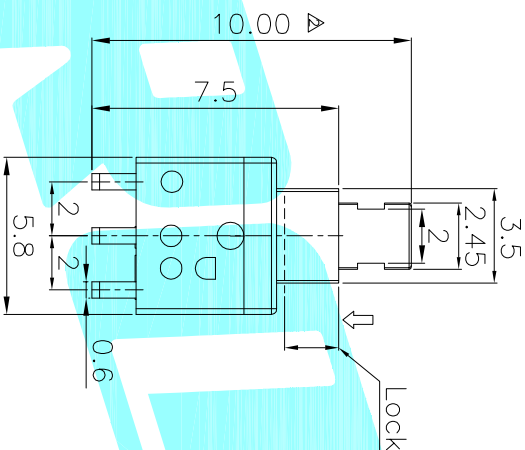
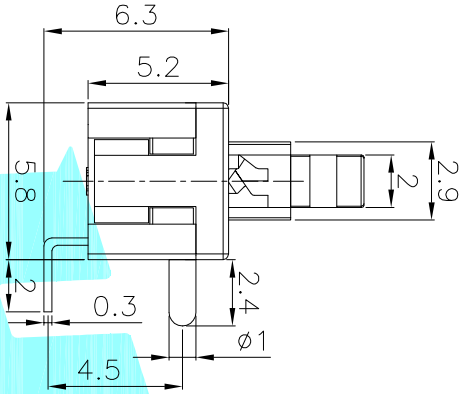


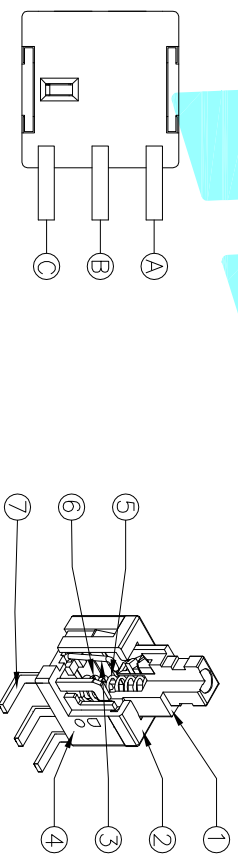
Circuit Diagram



PCB Layout (Pattern Side)



NOTE:
 1. Rated Load: DC 30V 0.1A
 2. Contact resistance: 30mΩ MAX
 3. Insulation Resistance: 100MΩ MIN
 4. Operating Force: 220gf±50gf
 5. Travel : 2.0±0.2mm
 6. Life: 10,000 Cycles



| ITEM | PART NAME | TER'NO. | QTY. | MATERIAL | FINISHING | REMARK |
|------|----------------|---------|------|-----------------|----------------|--------|
| ⑦ | Terminal | 3 | | Brass strip | Plating silver | |
| ⑥ | Contact | 2 | | Phosphor bronze | Plating silver | |
| ⑤ | Spring | 1 | | SUS | Natural | |
| ④ | Base | 1 | | Nylon | Gray | |
| ③ | Crochet Needle | 1 | | SUS | Natural | |
| ② | Cover | 1 | | POM | Black | |
| ① | KNOB | 1 | | POM | White | |

| APPROVALS | | DATE | TITLE: | |
|-----------|--------|------------|---------------------|--|
| DRAWN | D.J.LV | 2018/04/18 | PUSHBUTTON SWITCHS | |
| CHECKED | | | ELECTRONICS CO.,LTD | |



| ECN NO. | REV. | DATE. | DESCRIPTION. | CHANGE. | CHECK. | APPRO. |
|------------------------|------|-------|--------------|---------|--------|--------|
| | A | | NEW | | | |
| △20180418取消无磷产品 NEW | | | | | | |

| TOLERANCES ARE | 30~以上 | ±0.30 | ANGLE | PART NO. | SCALE: | PROJ: |
|----------------|-------|-------|-------|-------------|--------|--------------|
| | 10~30 | ±0.20 | ±2° | K8-5854D-L1 | 1:1 | ④ |
| | 5~10 | ±0.15 | | | | |
| | ~5 | ±0.10 | | | | |
| | | | | DRAWING NO. | | SHEET 1 OF 1 |