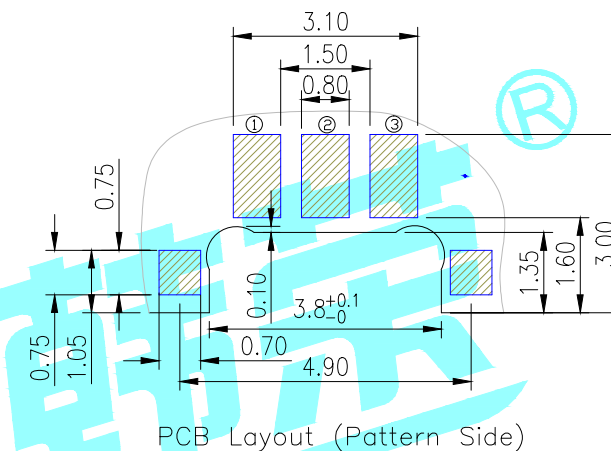
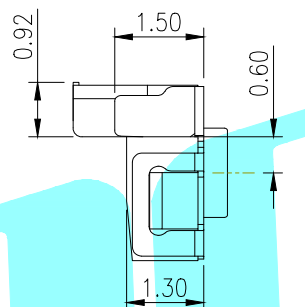
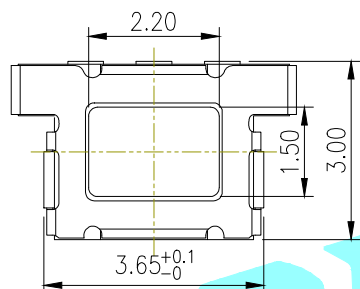
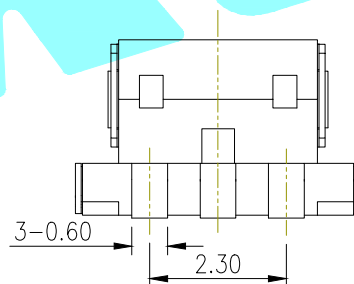
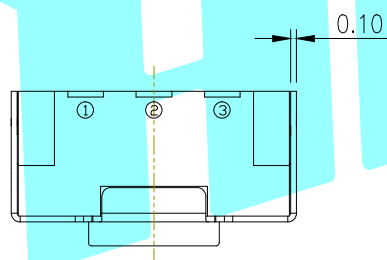


Circuit diagram



PCB Layout (Pattern Side)



NO.1	
PART NO	vigor
1	90±30
2	130±30
3	180±30
4	250±30
5	350±50

NO.3-NO.4	
PART NO	NOTE
01~99	SERIAL NUMBER

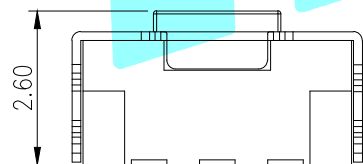
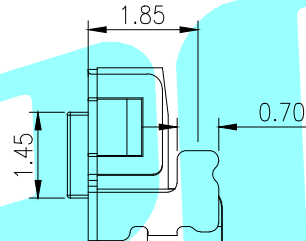
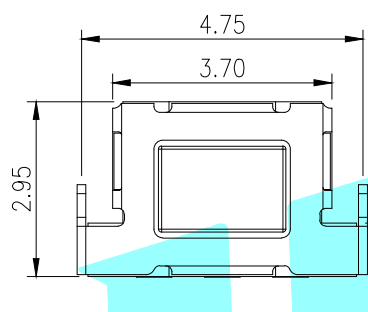
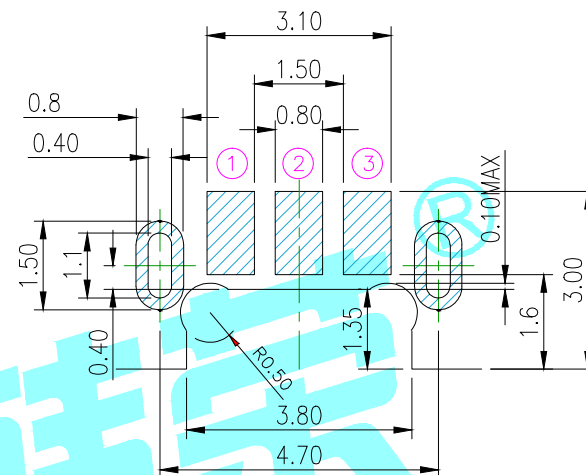
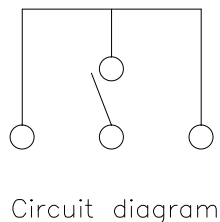
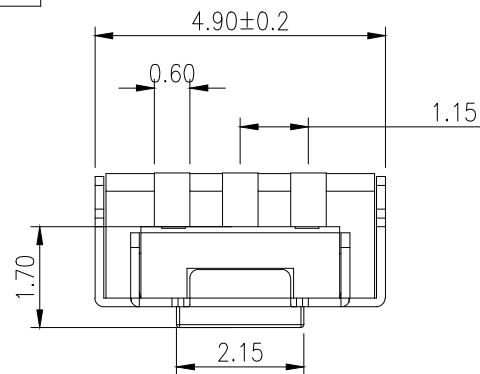
NO.2	
PART NO	MATERIAL/QTY
S	SUS/1PC
D	SUS/2PCS

- Notes:
- Rating: 12V DC 50mA
 - Contact resistance: 50mΩ max
 - Insulation resistance: 100MΩ 250v AC for 1min
 - Dielectric strength: 250V AC(50/60hz) for 1min
 - Life test:100,000 Cycles
 - Travel:0.20±0.1mm

⑤	Terminal	—	3	Phosphor Bronze	Plating silver	—
④	Contact	—	1	SUS	Plating silver	—
③	Base	—	1	LCP	Black	—
②	Cover	—	1	Brass	Plating silver	—
①	Keystoke	—	1	LCP	Black	—
ITEM	PART NAME	TER'NO.	QTY.	MATERIAL	FINISHING	REMARK

APPROVALS		DATE		 ELECTRONICS CO.,LTD		
DRAWN	LIUCAN	2020.5.16				
CHECKED				TITLE:	Tact Switch	
APPROVALS				PART NO.	K2-1847FT-A□□A-□□	
TOLERANCES ARE			30~以上	±0.30	ANGLE	UNIT: mm
			10~30	±0.20		
			5~10	±0.15		
			~ 5	±0.10	±2'	SCALE: 1:1
				DRAWING NO.	PROJ:	
				SHEET 1 OF 1		

ECN NO.	REV.	DATE.	DESCRIPTION.	CHANGE.	CHECK.	APPRO.
—	A	—	NEW	—	—	—



- Notes:
- 1.Rating: 12V DC 50mA
 - 2.Contact resistance: 50mΩ max
 - 3.Insulation resistance: 100MΩ 250v AC for 1min
 - 4.Dielectric strength: 250V AC(50/60hz) for 1min
 - 5.Life test:100,000 Cycles
 - 6.Travel:0.20±0.1mm

NO.1	
PART NO	vigor
1	90±30
2	130±30
3	180±30
4	250±30
5	350±50

NO.3-NO.4	
PART NO	NOTE
01~99	SERIAL NUMBER

NO.2	
PART NO	MATERIAL/QTY
S	SUS/1PC
D	SUS/2PCS

⑤	Terminal	—	3	Phosphor Bronze	Plating silver	—
④	Contact	—	1	SUS	Plating silver	—
③	Base	—	1	LCP	Black	—
②	Cover	—	1	Brass	Plating silver	—
①	Keystoke	—	1	LCP	Black	—
ITEM	PART NAME	TER'NO.	QTY.	MATERIAL	FINISHING	REMARK

APPROVALS		DATE	HROELECTRONICS® ELECTRONICS CO.,LTD					
DRAWN	LIUCAN	2020.5.16	TITLE:	Tact Switch				
CHECKED			PART NO.	K2-1847DT-A□□A-□□				
APPROVALS			TOLERANCES ARE	30~以上 ±0.30	10~30 ±0.20	ANGLE		
				5~10 ±0.15	±2'	UNIT: mm		
				~ 5 ±0.10		SCALE: 1:1		
						PROJ:		
ECN NO.	REV.	DATE.	DESCRIPTION.	CHANGE.	CHECK.	APPRO.	DRAWING NO.	SHEET 1 OF 1

ECN NO.	REV.	DATE.	DESCRIPTION.	CHANGE.	CHECK.	APPRO.
—	A	—	NEW	—	—	—