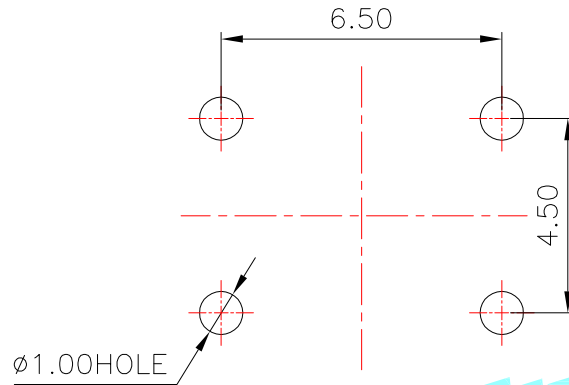
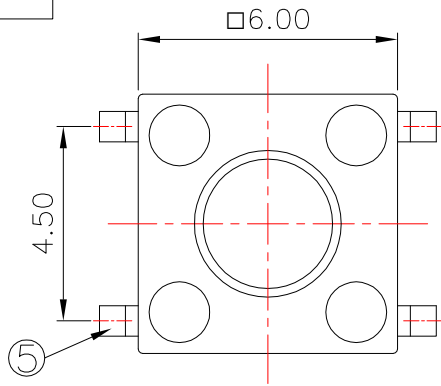
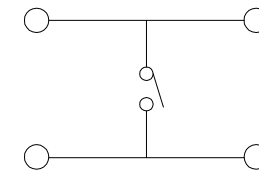


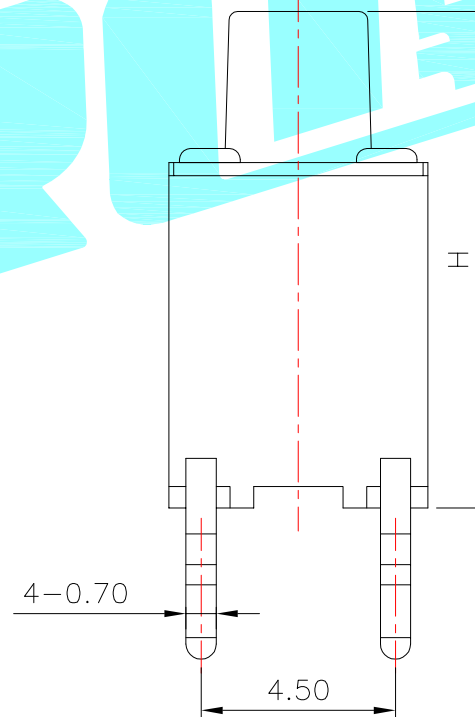
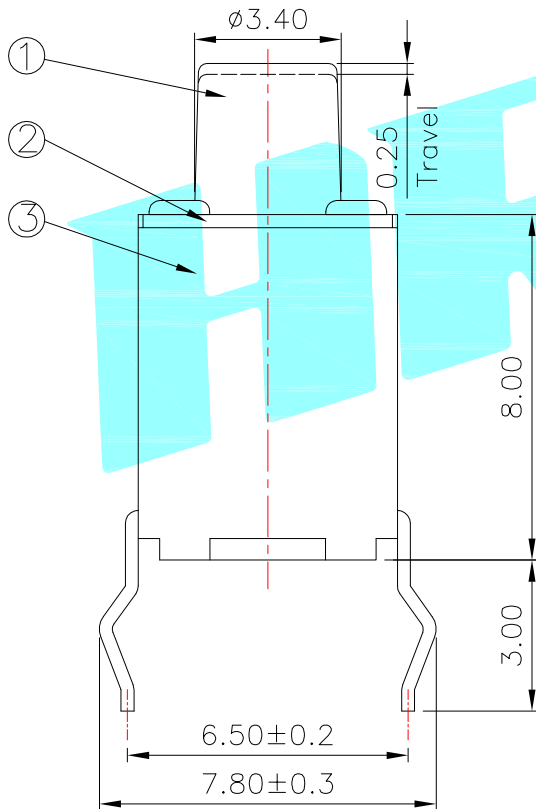
ROHS



PCB Layout (Pattern side)



Circuit Diagram



NO.1

PART NO	H	PART NO	H
O	11	P	11.5
Q	12	R	12.5
S	13	T	13.5
U	14	3	14.5
V	15	1	15.5
W	16	2	16.5
X	17	4	17.5
Y	18		

NO.2

PART NO	vigor
1	90±30
2	130±30
3	180±30
4	250±30
5	350±50

NO.3

PART NO	MATERIAL/QTY
S	SUS/1PC
C	C5210/1PC
D	SUS/2PCS
F	C5210/2PCS

NO.4-NO.5

PART NO	NOTE
01~99	SERIAL NUMBER

⑤	Terminal	—	4	Brass(0.30t)	Plating silver	—
④	Contact	—	1	F.Ag/SUS	—	—
③	Base	—	1	Nylon	Black	—
②	Cover	—	1	Brass	Plating Nickel	—
①	Keystoke	—	1	Nylon	Black	—
ITEM	PART NAME	TER'NO.	QTY.	MATERIAL	FINISHING	REMARK

APPROVALS		DATE		HRO 華碩® ELECTRONICS CO.,LTD		
DRAWN	J.X.Zhang	2013/5/30		TITLE:	TACT SWITCHS	
CHECKED				PART NO.	K2-6645DP-□□□W-□□	
APPROVALS				UNIT: mm	SCALE: 1:1	PROJ:
TOLERANCES ARE	30~以上: ±0.30 10~30: ±0.20 5~10: ±0.15 ~ 5: ±0.10	ANGLE	±2'	DRAWING NO.		SHEET 1 OF 1

ECN NO.	REV.	DATE.	DESCRIPTION.	CHANGE.	CHECK.	APPRO.
	A		NEW			