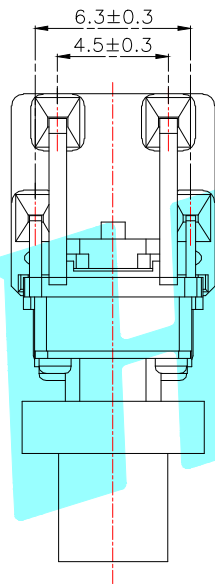
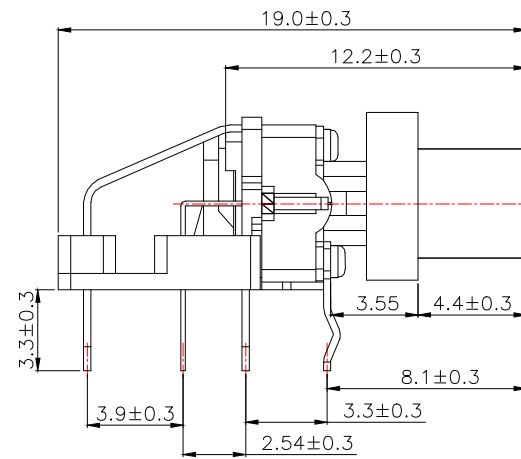
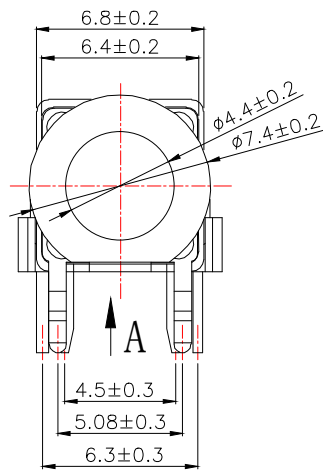
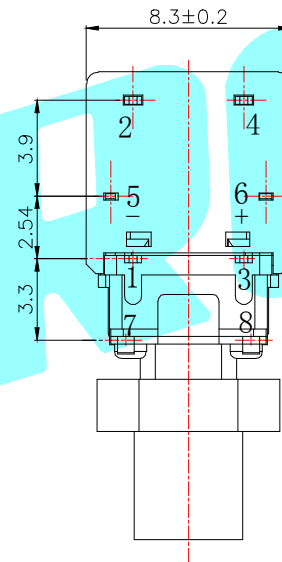


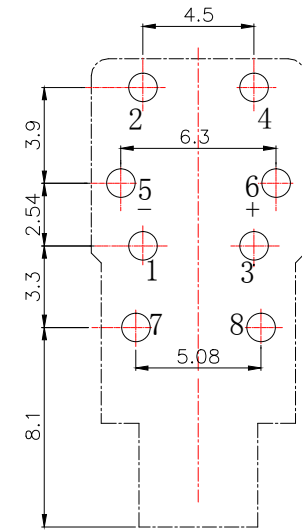
ROHS



A向旋转



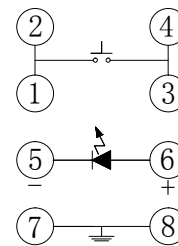
LED colour(LED颜色)	Part No. 料号
Whiler(白色)	K6-6156F-01
Red(红色)	K6-6156F-02
Blue(蓝色)	K6-6156F-03
Green(绿色)	K6-6156F-04
Yellow(黄色)	K6-6156F-05
Orange(橙色)	K6-6156F-06
Jade green(翠绿色)	K6-6156F-07
Yellow/Green(黄/绿色)	K6-6156F-45
Red/Blue(红/蓝色)	K6-6156F-23
Red/Green(红/绿色)	K6-6156F-24
Yellow/Jade green(黄/翠绿色)	K6-6156F-57



PCBLayout(Top view)

Typical Specifications

1. Rating : DC 30V 30mA
2. Insulation Resistance : 100mΩ Min
3. Dielectric Strength : AC 250V for 1 minute
4. Operating Force : 260±50 gf
5. Contact Resistance : 50mΩ MAX
6. Life : 100,000 Cycles Min



Circuit Diagram

ITEM	PART NAME	TER'NO.	QTY.	MATERIAL	FINISHING	REMARK
⑦	Contact	—	1	SUS	—	—
⑥	Cover	—	1	PA66	White	—
⑤	LED	—	1	GaASP/GaP	—	—
④	Terminal	—	8	Brass	Ag Plating	—
③	Base	—	1	PA66	Black	—
②	Button	—	1	PA66	White	—
①	Cap	—	1	PC	Transparent	—

APPROVALS		DATE	HRO 皓源® ELECTRONICS CO.,LTD			
DRAWN	LIUCAN	2021.09.06	TITLE:	LED Tact Switch		
CHECKED			PART NO.	K6-6156F-□□		
APPROVALS			TOLERANCES ARE	30~以上 ±0.30	ANGLE	UNIT: mm
				10~30 ±0.20	±2'	SCALE: 1:1
				5~10 ±0.15		PROJ:
				~ 5 ±0.10		DRAWING NO.
						SHEET 1 OF 1

ECN NO.	REV.	DATE.	DESCRIPTION.	CHANGE.	CHECK.	APPRO.
	A		NEW			